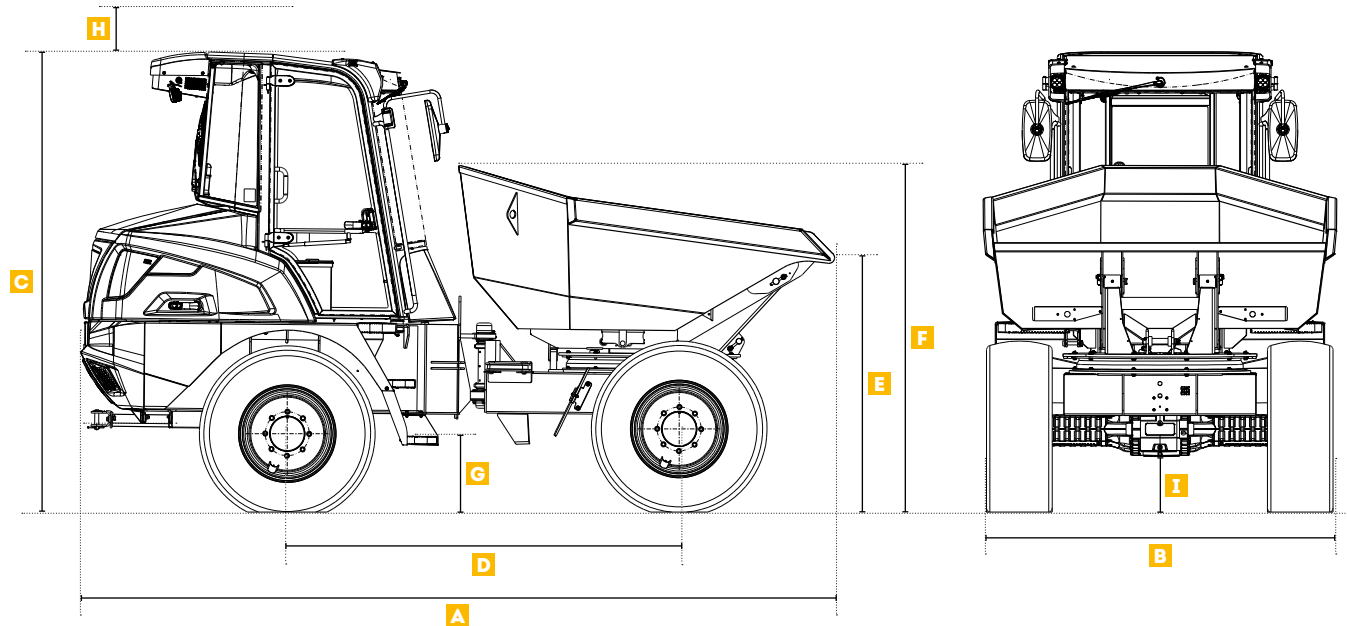


# 6.9.MDX

## TECHNICAL DATA



MACHINE DIMENSIONS	6MDX		9MDX	
	STRAIGHT mm (ft in)	SWING mm (ft in)	STRAIGHT mm (ft in)	SWING mm (ft in)
<b>A</b> Overall length	4452 (14'7")	4710 (15'5")	4585 (15'1")	4734 (15'6")
<b>B</b> Overall width	2300 (7'7")	2211 (7'3")	2502 (8'3")	2364 (7'9")
<b>C</b> Overall height	2875 (9'5")	2875 (9'5")	3384 (11'1")	3384 (11'1")
<b>D</b> Wheelbase	2450 (8')	2450 (8')	2450 (8')	2450 (8')
<b>E</b> Height to skip lip	1546 (5'1")	1690 (5'7")	1682 (5'6")	1827 (5'11")
<b>F</b> Height to back of skip	1998 (6'7")	2167 (7'1")	2292 (7'6")	2483 (8'2")
<b>G</b> Height to first step	472 (1'7")	472 (1'7")	509 (1'8")	509 (1'8")
<b>H</b> Additional height for beacon	140 (5.5")	140 (5.5")	140 (5.5")	140 (5.5")
<b>I</b> Ground Clearance	347 (1'2")	347 (1'2")	396 (1'4")	396 (1'4")