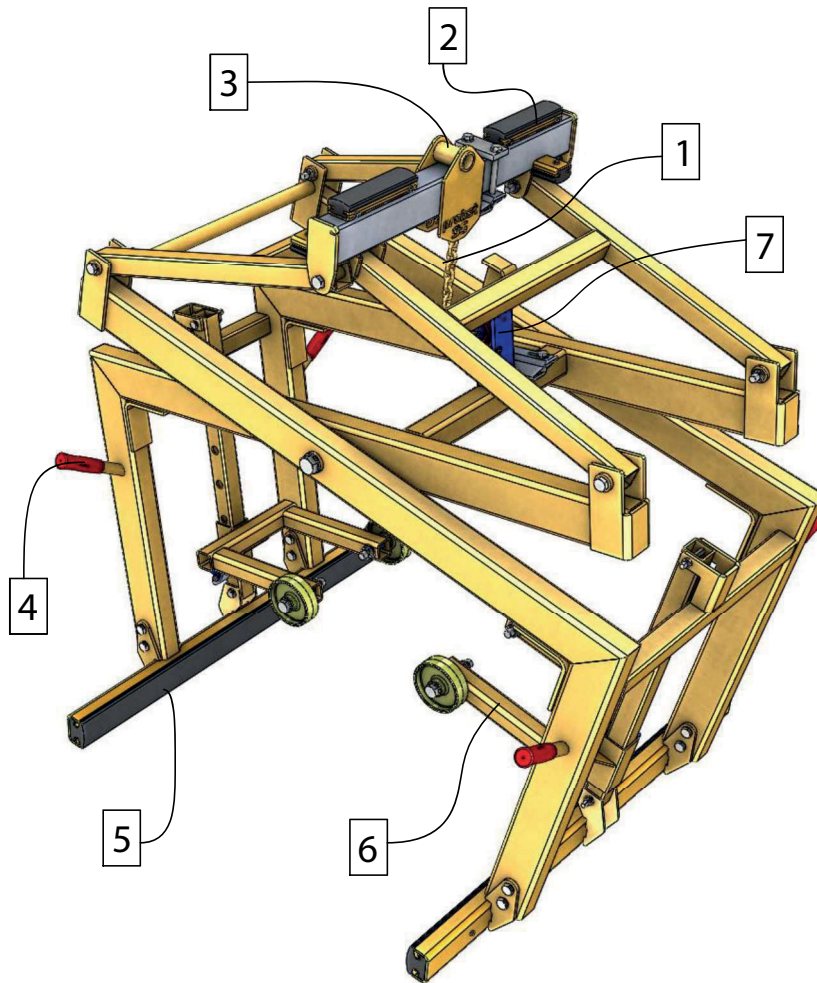


3.2 Survey and construction



- 1. Limiting chain for the minimum-opening rangeAufschlagdämpfer
- 2. Attachment for carrier/lifting device
- 3. Handle
- 4. Rubber gripper
- 5. Height adjustable
- 6. Automatic release with switching delay

3.3 Technical data

Type	Gripping range W	Inside Height E	Gripper Length L	Carrying capacity/working load limit (WLL)	Deadweight
SG-80-PGL2	400 – 1,100 mm (15¾ - 43")	800 mm (31½")	1,200 mm (47")	1,800 kg (4,000 lbs)	230 kg (510 lbs)

3.4 Accessoires